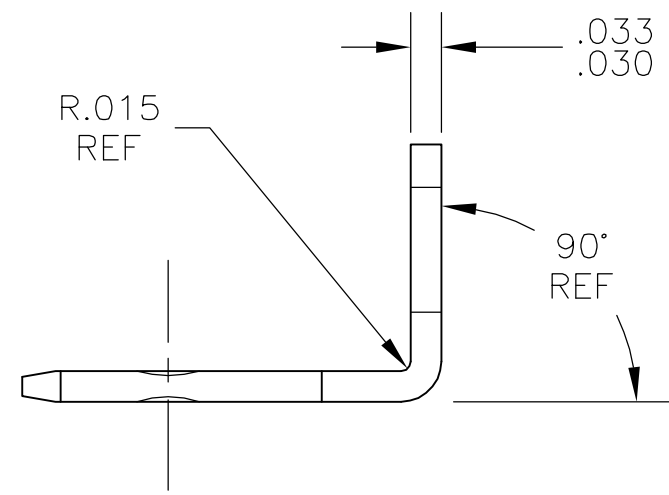
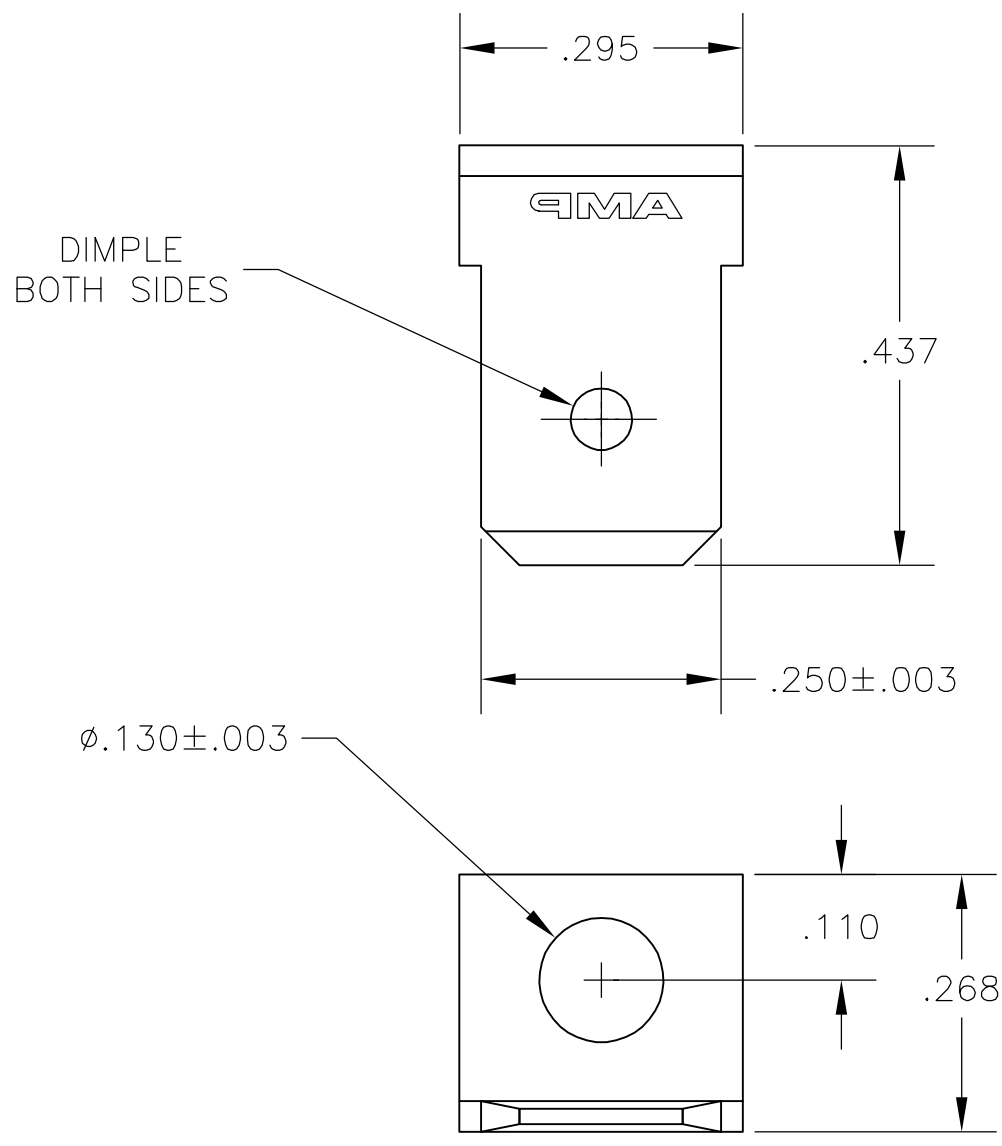


THIS DRAWING IS UNPUBLISHED. RELEASED FOR PUBLICATION
 © COPYRIGHT BY TYCO ELECTRONICS CORPORATION. ALL RIGHTS RESERVED.

LOC	DIST	REVISIONS			
P	LTR	DESCRIPTION	DATE	DWN	APVD
AF	50	F	REV PER ECR-05-017287	06APR06	HMR JR



TIN	42117-2
NONE	42117-1
FINISH	PART NO

obsolete

THIS DRAWING IS A CONTROLLED DOCUMENT.		DWN jr_ruth 26JUL04	Tyco Electronics Corporation Harrisburg, PA 17105-3608		
DIMENSIONS: INCHES	TOLERANCES UNLESS OTHERWISE SPECIFIED:	CHK KRISTY YI 26JUL04	NAME TAB, FASTON, .250 SERIES		
	0 PLC ± -	APVD KRISTY YI 26JUL04	PRODUCT SPEC		
	1 PLC ± -	—	APPLICATION SPEC		
MATERIAL	FINISH	—	SIZE	CAGE CODE	DRAWING NO
082 BRASS	SEE TABLE	WEIGHT	A3	00779	C-42117
CUSTOMER DRAWING			SCALE	SHEET	REV
			5:1	1 OF 1	F